



How to prepare your presentation

[IEEE-NEMS 2024](#)

May 2-5, 2024

Kyoto University of Advanced Science (KUAS)

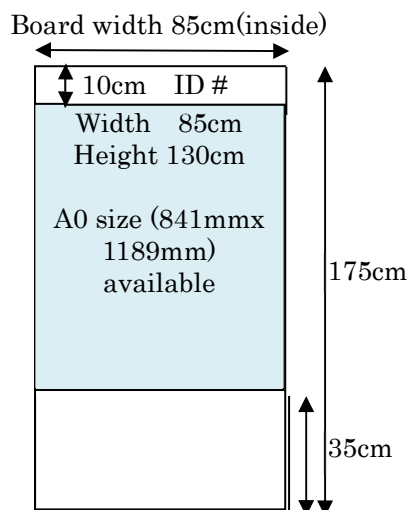
There are two types of presentation including oral presentation and poster presentation.

★ Oral presentation for regular sessions

- Presentation time: 12 minutes talk and 3 minutes discussion (15 minutes).
- Bells at 9, 12, 15 minutes.
- Language: English.
- AV equipment: Basically HDMI cable with projector, 16:9 ratio slide is highly recommended.
- Dry-run : Use your PC for presentation. Please make a connection test during break time prior to the session of your presentation.

★ Poster presentation

- Post your poster on the poster board assigned during the time as shown below.
- Pster ID will be posted at the top of the board by secretariat in advance.
- Poster size: within 85cm wide x 130cm height
A0 size (841mm x 1189mm) available
- Pushpins are prepared.
- Language: English.
- Poster session time: 80 minutes.
Make presentation during the assigned poster session in front of your poster.



	Date	Poster Session Time with your presentation	Poster set-up time
Poster 3P1,3P2, 3P3, 3P4	May 3	16:30-17:50	10:00-12:00, May 3
Poster 4P1, 4P2, 4P3, 4P4	May 4	15:00-16:20	10:00-12:00, May 3 & 10:00-12:00, May 4

- We will provide poster boards to place both poster sessions for May 3 and 4 at the room. We encourage you to keep your poster on the board both May 3 and 4 no matter when your poster session is assigned.
- Make sure that you will make presentation during the assigned poster session in front of your poster.
- Take off and bring back your poster after May 4 poster session between 16:30-17:00.

For further information, please contact with

IEEE-NEMS 2024 Secretariat: E-mail: nems_2024@semiconportal.com